



9" 4K Professional LCD Monitor OBM-U090

12G-SDI Single Link 4K (2-S.I. / Square mode)
6G-SDI Dual Link 2-S.I. 4K (SDI & SFP)
3G-SDI Quad Link Square Division & 2-S.I. 4K
Dual SFP Module Inputs (ST 2022-6, 3G)
Panel Resolution 1920 x 1080
1.064B Colors(8bit+2bit FRC)
Custom 3D LUT File Import
400cd/m2



The Postium OBM-U090 is designed for UHD/4K field production monitoring and displays up to UHD/4K signals scaled-down to native 1920x1080 resolution. It is equipped with standard 12G/6G/3G-SDI input interfaces (x2) and HDMI 2.0 input and support both 4K Quad Link 2-Sample Interleave and 4K Quad Link Square Division signals via SDI. Analog Composite/Component I/O is also supported.

Closed Captioning decode and display for CEA-708(HD-SDI closed captioning standard) and CEA-608(SD-SDI closed captioning standard) is supported via SDI input. The OBM-U090 accepts up to 3840x2160/24,25,30,50,60p and 4096x2160/24.25,30,50,60p signals.



POSTIUM KOREA Co., Ltd.
www.postium.com

Product Highlights

- 12G/6G/3G/HD-SDI(4K) 2 Channel, 3G/HD-SDI (Level A/B) 2 Channel
- 6G-SDI Dual Link 4K/UHD supporting SMPTE ST 2081-11
- 3G-SDI Quad Link Square Division
- 3G-SDI Quad Link 2 Sample Interleave (2-S.I.)
- HDR(High Dynamic Range) display supporting PQ EOTF(ST 2084), Hybrid Log Gamma, S-Log3
- 3D-LUT for Accurate Color Reproduction
- Wide Color Space Supporting ITU-R BT.709, SMPTE-C, EBU, Native, D-CINEMA, ITU-R BT.2020
- 1,000nit HDR (OBM-X310)
- 1,000,000 : 1 High Contrast ratio (OBM-X310)
- Camera Log Conversion
- Camera Log Mapped SDI Loopout
- Custom 3D LUT file Import through USB
- Gamma Selection (1.0 ~ 3.0)
- Color Temperature(3200K, 5500K, 6500K, 9300K, USER 1/2/3, D-CINEMA)
- Support 4096x2160 Aspect
- Color Space / HDR / Gamma Comparison (Side by Side)
- Monitor Update/Control via Ethernet, USB / RS-422
- 3G-SDI Quad Link Input -> 12G-SDI / 3G-SDI Single Link Output
- Image Division & Link order Auto Detection
- Focus Assist
- False Color (Zebra, False Color ARRI, False Color Variable)
- False Color Comparison
- Black Stretch
- Gamut Error
- Waveform, VectorScope (Wave + Vector, Waveform Wide)
- HDR Waveform
- Firmware Update via USB Flash Memory
- Various Markers (EBU, 4:3, 16:9, 1.85:1, 2.35:1, Variable Custom, etc.)
- Zero Scan / Over Scan / 1:1 Scan
- Time Code Display(Position/Size Selection)
- De-embedded 8~16ch Audio Level Meter
- SFP optical connector(OBM-U170/U240/U310/U550L)
- Dual SFP Module Inputs (OBM-U171/X310)
- Internal Patterns Display for Color Test (Black ~ 100%, Color Bar)
- Remote Control via GPI(RJ-45) Port
- UMD(TSL 3.1, TSL 5.0)
- H/V Delay
- Blue/Mono
- 3 Color TALLY Lamp
- Rack & VESA Mount (Option)
- Closed Caption (608,708)
- System Data Copy
- Various Preset Mode
- Key Lock & Password Lock
- Fast Mode (OBM-U090/U170/U171)
- HDR Auto Setting
- HDMI 2.0 Support
- Analog(YPbPr, CVBS) Input Support (OBM-U090)
- Aspect
- Freeze

Specifications

ITEM	OBM-U090	
Input	4 x BNC	12G/6G/3G/HD/SD-SDI-1/2, 3G/HD/SD-SDI-3/4
	1 x HDMI	HDMI 2.0
	SFP	-
	3 x BNC(YPbPr)	Analog(YPbPr)
	1 x BNC(CVBS)	Composite
Output	4 x BNC	12G/6G/3G/HD/SD-SDI-1/2, 3G/HD/SD-SDI-3/4 Active Loop Output
Input Signal Format	SMPTE ST 2082	2160p(60/59.94/50)
	SMPTE ST 2081	2160p(30/29.97/25/24/23.98)
	SMPTE ST 425-AB	1080p(60/59.94/50/30/29.97/25/24/23.98/30sF/29.97sF/25sF/24sF/23.98sF) / 1080i (60/59.94/50)
	SMPTE ST 274	1080p(30/29.97/25/24/23.98/24sF/23.98sF)
		1080i (60/59.94/50)
	SMPTE ST 296	720p(60/59.94/50)
	SMPTE ST 260	1920 x 1035i(60/59.94)
	SMPTE ST 2048	2048 x 1080p(24/23.98/24sF/23.98sF)
	SMPTE ST 125	480i(59.94)
	ITU-R BT.656	576i(50)
	HDMI 2.0	~ 2160p(60)
SFP	-	
Audio In/Out	1 x Phone Jack In	Line In(Stereo)
	1 x Phone Jack Out	H/P Out(Front, Stereo)
	2 x Speaker Out	Stereo
Display	Size	9" LCD
	Resolution	1920 x 1080 (16:9)
	Pixel Pitch	0.1035mm
	Color	1.064B Colors(8bit+2bit FRC)
	Viewing Angle	176(H), 176(V)
	Luminance of White	400cd/m ²
	Contrast	750 : 1
	Display Area (H x V)	198.72 x 111.78 (mm)
General	2 x Ethernet	Control/Update, RJ-45P Input / Output
	1 x GPIO	GPI-7 Port, RJ-45P Jack
	2 x Serial	RS-422 Jack, RJ-45P Input / Output
	1 x USB	For Firmware Update, Color Calibration
	Power Requirements	DC 12V
	Power Consumption	36W
	Operating Temperature	0°C ~ 40°C(32°F~104°F)
	Operating Humidity	20% ~ 80% RH
	Weight(with stand)	2.8kg / 6.17lbs
	Dimensions (WxHxD)	267 x 193 x 90mm (with stand)
		10.51 x 7.55 x 3.54inch
	Accessories	Power Cable
	Option	Rack Mount Kit / Carrying Case / Sun Hood / Acrylic Protector / V-Mount

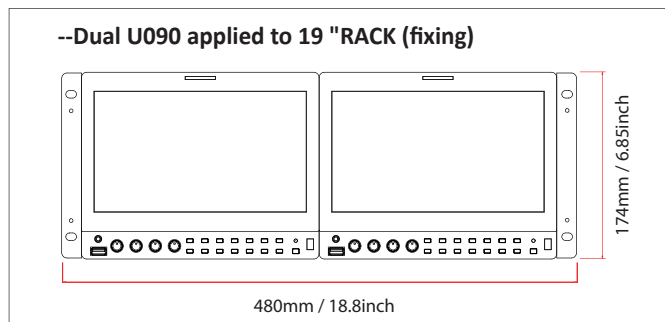
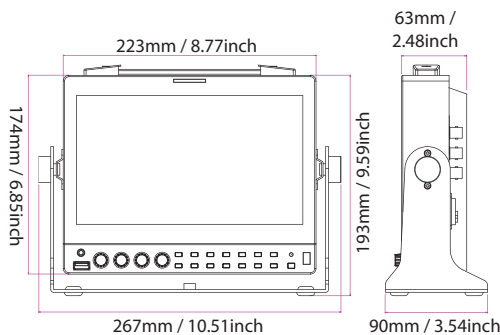
* Specifications are subject to change without prior notice for the product quality improvement.

Dimensions

--Main Body : 223 x 174 x 43 mm (8.77 x 6.85 x 1.69 inch) --With Stand : 267x 193 x 90 mm (10.51 x 9.59 x 3.54 inch)

Weight

--Main Body : 2.1kg / 4.62lbs --With Stand : 2.8kg / 6.17lbs



Rear Panel

