



17.3" HDR 8K Monitor **OBM-U178K**

12G-SDI Quad Link 8K

12G-SDI Single Link 4K

3G-SDI Quad Link Square Division & 2-S.I. 4K

Wide Color Gamut

1.064 Billion Colors

Panel Resolution 3840 x2160

Native 33x33x33 30bit 3D-LUT

internal color processing 72bit(24bitx3)

SDR EOTF BT.1886 (Gamma 2.4)



The OBM-U178K incorporates 4 x 12G SDI input and Loopout(x4), HDMI 2.0 input. The OBM-U178K accepts up to 7680x4320 / 60 / 59.94. / 50p signals. The OBM-U178K provides the function to display the HDR(High Dynamic Range) footage, and supports a wide color gamut conforming to DCI-P3.

The OBM-U178K offers the professional performance, including excellent quality black performance, accurate color reproduction, which make these monitors ideal for 8K/4K live production, versatile monitoring and field production applications. In addition, the OBM-U178K supports the integrated 3D LUT, Waveform, Vector Scope and full feature set.

Advanced 3D LUT Tetrahedral Interpolation algorithm has been applied to the OBM-178K. The accuracy of the color reproduction is better than 33x33x33 grid 3D LUT with cubic interpolation.



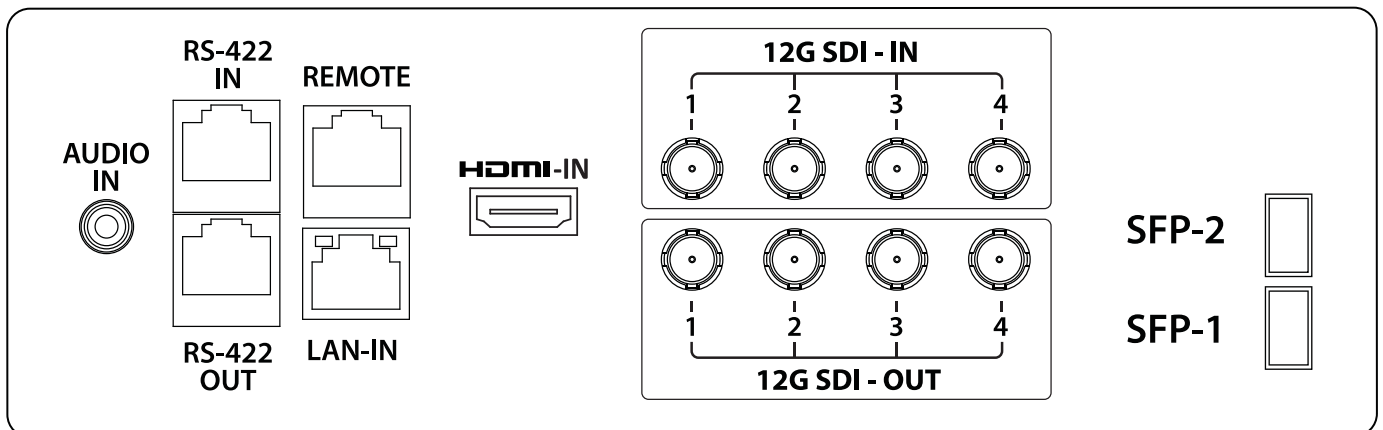
POSTIUM KOREA Co., Ltd.
www.postium.com



Product Highlights

- 12G SDI Quad Link 8K / 12G-SDI Single Link 4K
- 6G-SDI Dual Link 2-S.I. 4K
- 3G-SDI Quad Link Square Division 4K / 3G-SDI Quad Link 2-Sample Interleave (2-S.I.) 4K
- Dual SFP Module Inputs (ST 2022-6 Support)
- HDMI® 2.0 Input
- HDR(High Dynamic Range) Display supporting PQ (ST 2084), Hybrid Log Gamma, S-Log3
- Wide Color Gamut Supporting ITU-R BT.709, SMPTE-C, EBU, Native, DCI-P3, ITU-R BT.2020
- Internal color processing 72bit(24bitx3) + Native 33x33x33 30bit 3D-LUT
- Gamut Error
- 1.064B Colors(8bit+Hi FRC)
- Black stretch
- Camera Log Conversion
- Custom 3D LUT file Import Through USB
- Gamma Selection (1.0 ~ 3.0)
- SDR EOTF - BT.1886 (Gamma 2.4)
- Color Temperature (3200K, 5500K, 6500K, 9300K, USER 1/2/3, D-CINEMA)
- Monitor Control via Ethernet, RS-422
- Image Division & Link Order Auto Detection
- Waveform, VectorScope (Wave + Vector)
- HDR Waveform
- Various Markers (EBU, 4:3, 16:9, 1.85:1, 2.35:1, Variable Custom)
- Zero Scan
- Time Code Display
- De-embedded 8~16ch Audio Level Meter
- Internal Pattern Display for Color Test (Black ~ 100% White, Color Bar)
- Remote Control via GPI(RJ-45) Port
- False Color : Zebra, Color Pattern, ARRI
- Easy Firmware Update by USB
- System Data Copy
- H/V Delay
- Blue/Mono Only
- Focus Assist
- 3 Color TALLY Lamp
- HDR Auto Setting
- Aspect
- Freeze

Parts and Controls





17.3" 8K Professional LCD Monitor OBM-U178K

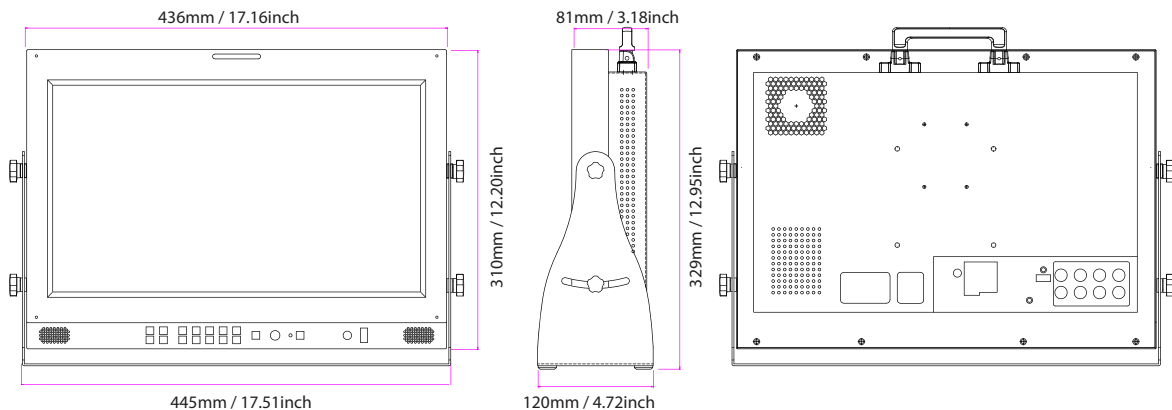
Specifications

ITEM		OBM-U178K
Input	4 x BNC	12G/6G/3G/HD
	1 x HDMI	HDMI 2.0
	2 x SFP	SFP
Output	4 x BNC	12G/6G/3G/HD/4 Active Loop Output
Input Signal Format	SMPTE ST 2082-12(12G Quad 8K)	4320p(60/59.94/50)
	SMPTE ST 2082-10(12G Single)	2160p(60/59.94/50/30/29.97/25/24/23.98)
	SMPTE ST 2081-11(6G Dual)	2160p(60/59.94/50)
	SMPTE ST 2081-10(6G Single)	2160p(30/29.97/25/24/23.98)
	SMPTE ST 425-AB	1080p(60/59.94/50/30/29.97/25/24/23.98/30sF/29.97sF/25sF/24sF/23.98sF) / 1080i (60/59.94/50)
	SMPTE ST 274	1080p(30/29.97/25/24/23.98/24sF/23.98sF) 1080i (60/59.94/50)
	SMPTE ST 296	720p(60/59.94/50)
	SMPTE ST 260	1920 x 1035i(60/59.94)
	SMPTE ST 2048	2048 x 1080p(24/23.98/24sF/23.98sF)
	HDMI 2.0	~ 2160p(60)
	SFP	12Gbps, 6Gbps, 2.970Gbps, 1.485Gbps, 270Mbps
Audio In/Out	1 x Phone Jack In	Line In(Stereo)
	1 x Phone Jack Out	H/P Out(Front, Stereo)
	2 x Speaker Out	Stereo
Display	Size	17.3" LCD
	Resolution	3840 x 2160 (16:9)
	Pixel Pitch	0.09945mm
	Color	1.064B Colors(8bit+Hi FRC)
	Viewing Angle	178(H), 178(V)
	Luminance of White	1500cd/m ² (HDR Maximum 1000cd/m ²)
	Contrast	1000 : 1
	Display Area (H x V)	381.89 x 214.81 (mm)
General	2 x Ethernet	Control/Update, RJ-45P Input / Output
	1 x GPIO	GPI-7 Port, RJ-45P Jack
	2 x Serial	RS-422 Jack, RJ-45P Input / Output
	1 x USB	For Firmware Update, Color Calibration
	Power Requirements	AC(100-230V, 50/60Hz)/DC 24V
	Power Consumption	75W
	Operating Temperature	0°C ~ 40°C(32°F~104°F)
	Operating Humidity	20% ~ 80% RH
	Weight(With Stand)	Main Body : 6.6kg / 14.55lbs (With Stand : 7.7kg / 16.97lbs)
	Dimensions (WxHxD)	Main Body : 436 x 310 x 81 mm(With Stand : 445 x 329 x 120mm) Main Body : 17.16 x 12.20 x 3.18inch (With Stand : 17.51 x 12.20 x 4.72 inch)
	Accessories	Power Cable
Option	Rack Mount Kit/ Carrying Case	

Dimensions(mm)

Main Body : 436 x 310 x 81 mm / 17.16 x 12.20 x 3.18 inch --With Stand : 445 x 329 x 120 mm / 17.51 x 12.20 x 4.72 inch

Weight --Main Body : 6.6kg / 14.55lbs / With Stand : 7.8kg / 17.19lbs



* Specifications are subject to change without prior notice for the product quality improvement.