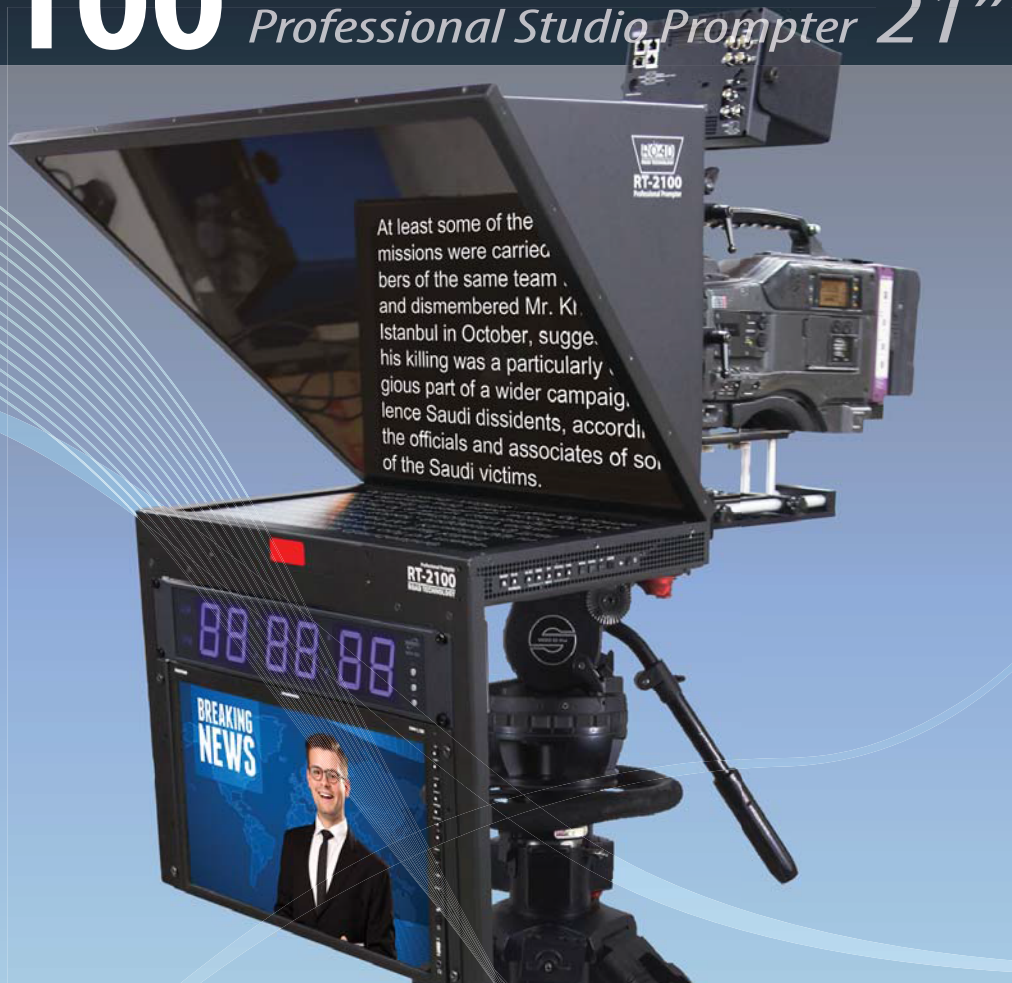


1500cd/m²



RT-2100

Professional Studio Prompter 21"



- 21" LCD panel with 1500nit High Brightness
- Variety of Input: SDI, HDMI®, CVBS, DVI
- SMPTE Time Clock, Preview Monitor option
- Clearly readable with the high quality mirror glass
- Remote-control Teleprompting Software capable of the real-time text change
- Lightweight and versatile camera mounting system
- Tally Support

The State of the Art Super High Brightness Tele-Prompter RT-2100 for Professional Broadcast Studio

RT-2100, 21inch Tele-Prompter is designed for professional broadcast studio.

RT-2100 expresses the visible manuscript screen with a high-brightness and a high-contrast ratio by adopting high performance 21" 16:9 LCD panel and minimizes the effect of the manuscript screen to camera lens by high quality mirror glass. Also, RT-2100 supports a various of input to be able to have a flexibility. Supported input is not only CVBS and VGA but also HD-SDI and HDMI®.

RT-2100 promotes the stability by choosing the solid and light material and the fast setting depending on various camera and its options by using the adjustable balancing camera plate to shorten the time.

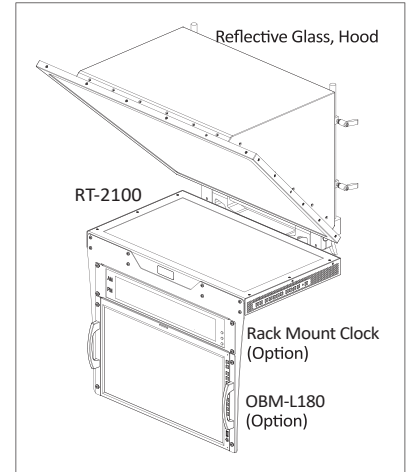
Manuscript Prompter Software is not an option and it can interface with Mouse, Keyboard, Remote controller and etc. You can achieve an easy operation. The feature of real-time editing while rolling up a manuscript enables a quick react at any time and any conditions.

There are several options to be ready such as SMPTE Time Clock, Preview Monitor to make a convenience to the news anchor and the announcer.

RT-2100 Product Specifications

ITEM		RT-2100
Input	BNC (SDI)	1 x 3G/HD/SD-SDI
	HDMI®	1 x HDMI® 1.3a
	BNC (CVBS)	1 x Composite
	DVI	1 x DVI-I
Output	BNC (SDI)	1 x 3G/HD/SD-SDI
Input Signal Format	SMPTE ST 425-AB	1080p(60/59.94/50/30/29.97/25/24/23.98/30sF 29.97sF/25sF/24sF/23.98sF) / 1080i (60/59.94/50)
	SMPTE ST 274	1080p(30/29.97/25/24/23.98/24sF/23.98sF) 1080i (60/59.94/50)
	SMPTE ST 296	720p(60/59.94/50)
	SMPTE ST 260	1920 x 1035i(60/59.94)
	SMPTE ST 2048	2048 x 1080p(24/23.98/24sF/23.98sF)
	SMPTE ST 125	480i(59.94)
	ITU-R BT.656	576i(50)
	HDMI®	~2160p(60)
	DVI-I	VESA/IBM Modes
Display	Size	21" LCD
	Resolution	1920 x 1080 (16:9)
	Pixel Pitch	0.270mm
	Color	True 16.7M Colors
	Viewing Angle	178(H), 178(V)
	Luminance of White	1500cd/m ²
	Contrast	1000 : 1
	Active Area (H x V)	476.064 (H)mm x 267.786 (V) mm
General	1 x GPIO	GPI-7 Port, RJ-45P Jack
	1 x USB	For Frmware Update, Color Calibration
	Power Requirements	DC 24V
	Power Consumption	Max 40W
	Operating Temperature	0 ~ 40°C(32°F~104°F)
	Operating Humidity	20 ~ 80% RH
	Accessories	Power Cable / Power Adapter

* Specifications are subject to change without prior notice for the product quality improvement.



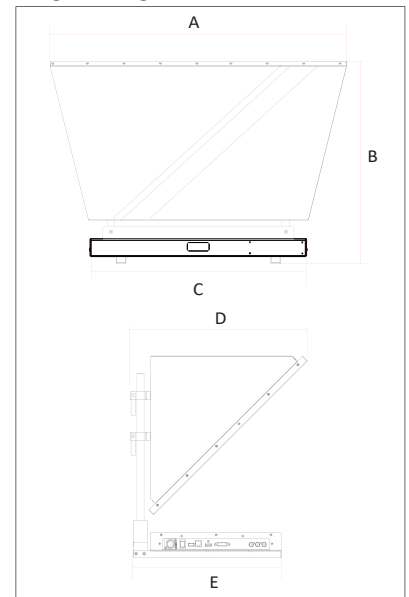
Dimensions(mm)

A : 735. B : 500. C : 536. D : 439. E : 367

Dimensions(inch)

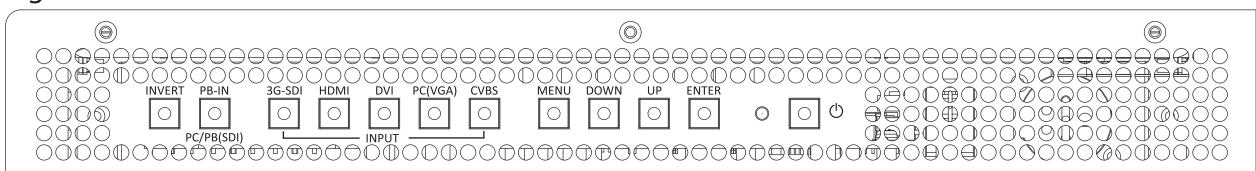
A : 28.9. B : 19.6. C : 21.1. D : 17.2. E : 14.4

Weight : 9.8kg / 21.60lb



RT-2100 Switches and Connectors

Right side



Left side

