



18.5" 4K Wall Monitor for Studio and OB Van

OBM-W180

12G/6G/3G-SDI x 2 Input

HDMI 2.0 Input

SFP Module Input (ST 2022-6, ST 2110 Support)

Panel Resolution 1920x1080

1.064 Billion Colors

500cd/m²



The OBM-W180 incorporate 12G-SDI input and loopout(x2), HDMI 2.0 input, SFP optical connector, Component and Composite on the panel of full HD resolution. So, the OBM-W180 is ideal for building up a 4K monitor wall in the studio or OB van. The OBM-W180 offers the advanced and convenient features such as HDR(High Dynamic Range), Ethernet Control, Camera Log display, etc.



POSTIUM KOREA Co., Ltd.
www.postium.com



Product Highlights

- 12G/6G/3G/HD/SD-SDI 2 Channel
- Dual Link 3G-SDI 2-Sample Interleave
- SFP Module Input (ST 2022-6, ST 2110 Support)
- HDMI 2.0 Support
- HDR(High Dynamic Range) Display supporting PQ EOTF(ST 2084), Hybrid Log Gamma, S-Log3
- 3D-LUT for Accurate Color Reproduction
- SDR EOTF - BT.1886 (Gamma 2.4)
- 1.064 Billion Colors
- Camera Log Conversion
- Camera Log Mapped SDI Loopout
- Custom 3D LUT File Import Through USB
- Gamma Selection (1.0 ~ 3.0)
- Color Temperature(3200K, 5500K, 6500K, 9300K, USER 1/2/3, DCI-P3)
- Compare Color Settings (Side by Side)
- Waveform, VectorScope (Wave + Vector, Waveform Wide, Position Selection)
- Various Markers (EBU, 4:3, 16:9, 1.85:1, 2.35:1, Variable etc.)
- Internal Patterns Display for Color Test (Black ~ 100% White, Color Bar)
- De-embedded 8~16ch Audio Level Meter
- Time Code Display (Position / Size Selection)
- Remote Control via GPI(RJ-45) Port
- HDR & Camera Log Comparison
- Rack & VESA Mount (Option)
- Monitor Control via Ethernet, RS-422
- Easy Firmware Update by USB
- Focus Assist
- Zebra
- Support 4096x2160 Aspect
- Zero Scan / 1:1 Scan
- H/V Delay
- Gamut Error
- 3 Color TALLY Lamp
- Fast Mode
- Aspect
- Freeze
- Blue/Mono Only
- HDR Waveform
- IMD
- Closed Caption(608, 708)
- System Data Copy
- Key Lock & Password Lock

Parts and Controls



* Functions are subject to change without prior notice for the product quality improvement.



18.5" 4K Professional LCD Monitor

OBM-W180

Specifications

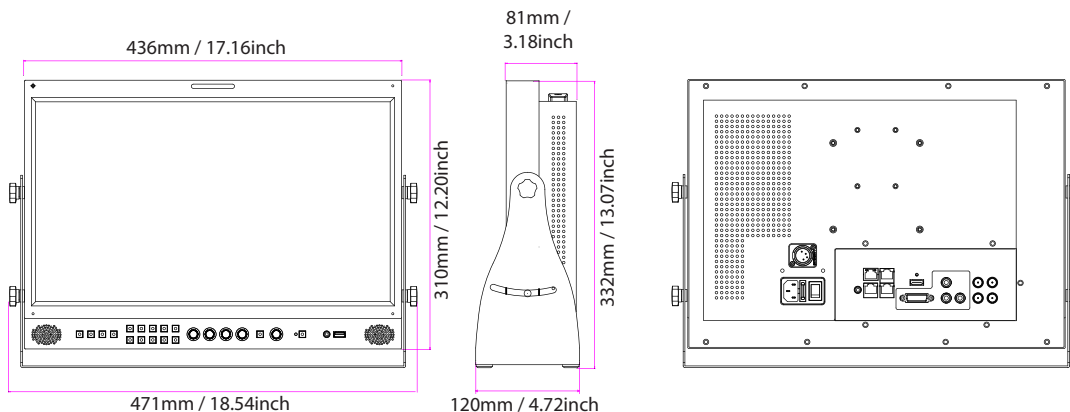
| ITEM | OBM-W180 | |
|---------------------|------------------------|--|
| Input | 2 x BNC | 12G/6G/3G/HD/SD-SDI-1/2 |
| | 1 x HDMI | HDMI 2.0 |
| | 1 x SFP | SFP |
| | 3 x BNC (YPbPr) | Analog(YPbPr) |
| | 1 x BNC (CVBS) | Composite |
| Output | 2 x BNC | 12G/6G/3G/HD/SD-SDI-1/2 |
| Input Signal Format | SMPTE ST 2082 | 2160p(60/59.94/50) |
| | SMPTE ST 2081 | 2160p(30/29.97/25/24/23.98) |
| | SMPTE ST 425-AB | 1080p(60/59.94/50/30/29.97/25/24/23.98/30sF/29.97sF/25sF/24sF/23.98sF) / 1080i (60/59.94/50) |
| | SMPTE ST 274 | 1080p(30/29.97/25/24/23.98/24sF/23.98sF) |
| | | 1080i (60/59.94/50) |
| | SMPTE ST 296 | 720p(60/59.94/50) |
| | SMPTE ST 260 | 1920 x 1035i(60/59.94) |
| | SMPTE ST 2048 | 2048 x 1080p(24/23.98/24sF/23.98sF) |
| | SMPTE ST 125 | 480i(59.94) |
| | ITU-R BT.656 | 576i(50) |
| | HDMI 2.0 | ~ 2160p(60) |
| | SFP | 12Gbps, 6Gbps, 2.970Gbps, 1.485Gbps, 270Mbps |
| | Audio In/Out | 1 x Phone Jack In |
| 1 x Phone Jack Out | | H/P Out(Front, Stereo) |
| 2 x Speaker Out | | Stereo |
| Display | Size | 18.5" LCD |
| | Resolution | 1920 x 1080 (16:9) |
| | Pixel Pitch | 0.213mm |
| | Color | 1.064B colors(8bit+2bit FRC) |
| | Viewing Angle | 178(H), 178(V) |
| | Luminance of White | 500cd/m ² |
| | Contrast | 1000 : 1 |
| | Display Area (H x V) | 408.96 x 230.04 (mm) |
| General | 1 x Ethernet | Control/Update, RJ-45P Input |
| | 1 x GPIO | GPI-7 Port, RJ-45P Jack |
| | 2 x Serial | RS-422 Jack, RJ-45P Input / Output |
| | 1 x USB | For Firmware Update, Color Calibration |
| | Power Requirements | AC(100-230V,50/60Hz)/DC12V |
| | Power Consumption | Max 40W |
| | Operating Temperature | 0 ~ 40°C(32°F~104°F) |
| | Operating Humidity | 20 ~ 80% RH |
| | Weight | 6.7kg/14.77lbs |
| | Dimensions(with stand) | 471 x 335 x 120mm |
| | | 18.54 x 13.18 x 4.72inch |
| | Accessories | Power Cable |
| | Option | Rack Mount Kit / Carrying Case / Sun Hood/ Acrylic Protector / V-Mount |

* Specifications are subject to change without prior notice for the product quality improvement.

Dimensions(mm)

--Main Body : 436 x 310 x 81 mm / 17.16 x 12.20 x 3.18 inch --With Stand : 471 x 332 x 120 mm / 18.54 x 13.07 x 4.72 inch

Weight --Main Body : 5.5kg / 12.12lbs / With Stand : 6.7kg / 14.77lbs



* Specifications are subject to change without prior notice for the product quality improvement.