



HDR

OBM-N101

10" Versatile On-Camera & Field Monitor



- 3G-SDI x 2 Input & Active Loopout
- HDMI® 1.4a, YPbPr, CVBS
- Cross Conversion (HDMI® to SDI)
- 16.7M colors(6-bit+Hi-FRC)
- Camera Log Conversion
- Custom 3D LUT File Import
- Panel Resolution 1920x1200

The OBM-N101 On-Camera & Field monitor offers the superior picture quality and wide viewing angle, and includes an array of professional features and the advanced audio & video signal analysis functions including Waveform, Vector Scope, Audio Level Meter, Fast Mode, Camera Log Mapped SDI Loopout, Camera Log Slection, Custom 3D LUT Import, Focus Assist, and many other unique and advanced functions.

The OBM-N101 On-Camera & Field monitor is equipped with various I/O interfaces such as 3G-SDI, HDMI®, Component, Composite, and the Cross Conversion form HDMI® to SDI is supported.

10" Versatile On-Camera & Field Monitor OBM-N101

Product Highlights

- 3G/HD/SD-SDI 2 Channel Input and Active Loopout
- HDMI® 1.4a, YPbPr, CVBS Input
- HDMI® to SDI Conversion
- HDR(High Dynamic Range) Display supporting ST 2084, Hybrid Log Gamma, S-Log3
- 3D-LUT for Accurate Color Reproduction
- 16.7M colors(6-bit+Hi-FRC)
- Camera Log Conversion
- Camera Log Mapped SDI Loopout
- Custom 3D LUT File Import Through USB
- Gamma Selection (1.0 ~ 3.0)
- Color Temperature(3200K, 5500K, 6500K, 9300K, USER 1/2/3, D-CINEMA)
- Compare Color Settings (Side by Side)
- Waveform, VectorScope
(Wave + Vector, Waveform Wide, Position Change, Size Adjustment)
- Monitor Control via Ethernet, RS-422
- Various Markers (EBU, 4:3, 16:9, 1.85:1, 2.35:1, Variable etc.)
- Internal Patterns Display for Color Test (Black ~ 100% White, Color Bar)
- Time Code Display (Position / Size Selection)
- Easy Firmware Update by USB
- HDR & Camera Log Comparison
- Gamut Error
- False Color(Zebra, Color Pattern, ARRI)
- De-embedded 8~16ch Audio Level Meter
- Remote Control via GPI(RJ-45) Port
- Fast Mode
- Focus Assist
- HDR Waveform
- Zero Scan / 1:1 Scan
- H/V Delay
- Blue/Mono Only
- IMD
- 3 Color TALLY Lamp
- Rack Mount Kit (Option)
- Closed Caption(608, 708)
- System Data Copy
- Key Lock & Password Lock
- Aspect
- Freeze

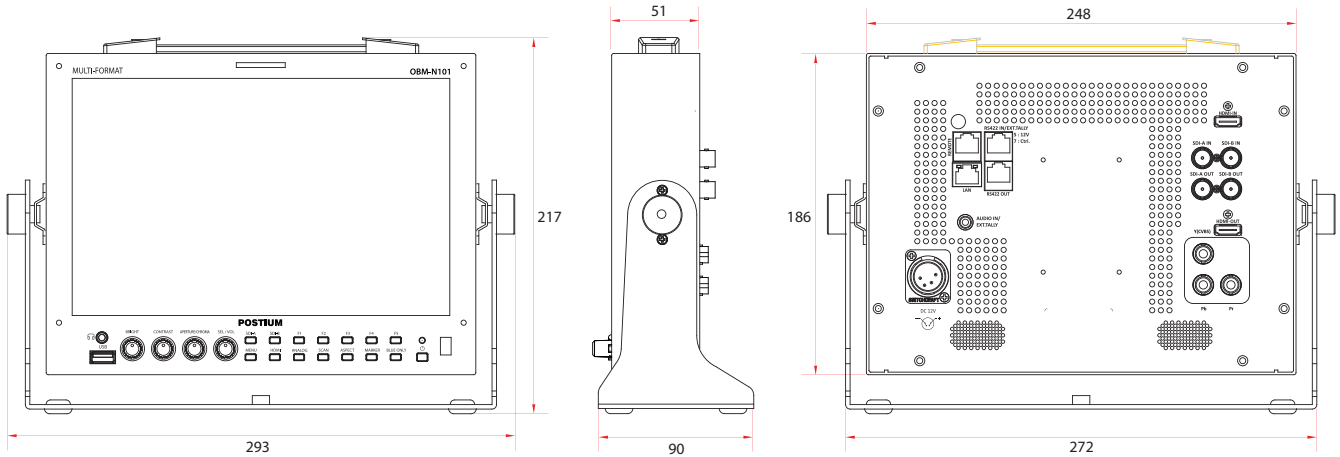


* Functions are subject to change without prior notice for the product quality improvement.

10" Versatile On-Camera & Field Monitor OBM-N101

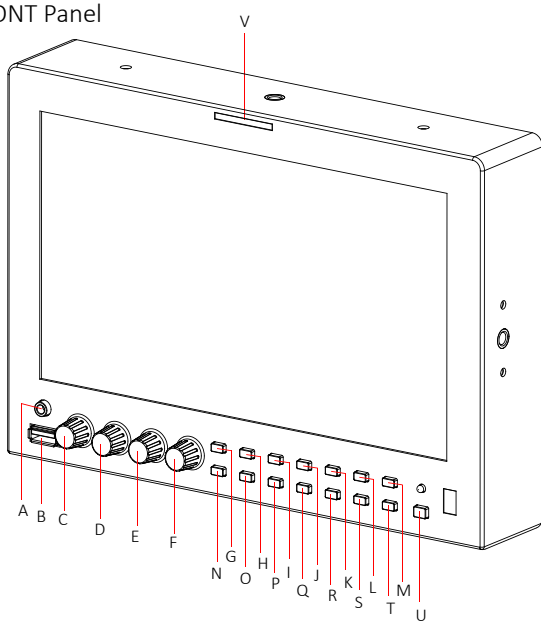
Dimensions

Dimensions(W x H x D) : Main Body : 248 x 186 x 51 mm (9.76 x 7.32 x 2 inch)
 With Stand : 293x 217 x 90 mm (11.53 x 8.54 x 3.54 inch)
 Weight : 2.2kg / 4.85lbs(With Stand : 2.7kg / 5.95lbs)



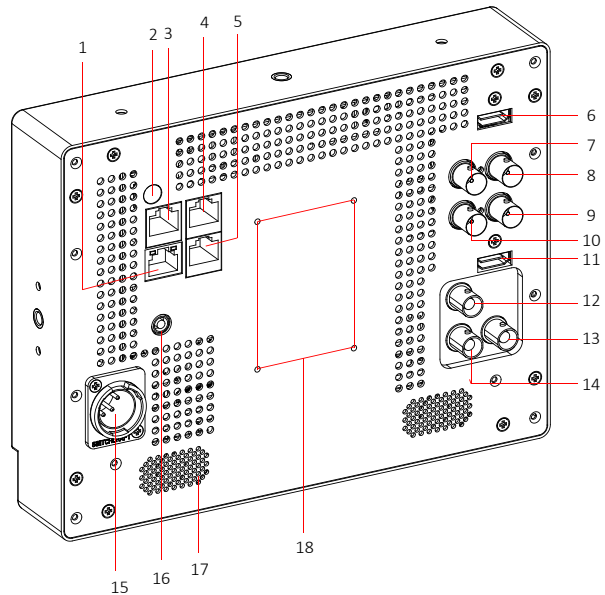
Location of Parts and Controls

FRONT Panel



- | | |
|--------------------|---------------|
| A - Headphone Jack | L - F4 |
| B - USB connector | M- F5 |
| C - BRIGHT | N - MENU |
| D- CONTRAST | O - HDMI® |
| E- APERTURE/CHROMA | P - ANALOG |
| F- SEL/VOL | Q- SCAN |
| G- SDI-A | R - ASPECT |
| H- SDI-B | S - MARKER |
| I - F1 | T - BLUE ONLY |
| J - F2 | U - POWER |
| K- F3 | V - TALLY |

REAR Panel



- | | | |
|-------------|--------------|------------------|
| 1-REMOTE | 8-SDI B-OUT | 15-DC Connection |
| 2-TALLY | 9-SDI A-OUT | 16-AUDIO-IN |
| 3-LAN | 10-SDI B-IN | 17-SPEAKER |
| 4-RS422 IN | 11-HDMI®-OUT | 18-V-mount |
| 5-RS422 OUT | 12-Y(CVBS) | Connection |
| 6-HDMI®-IN | 13-Pr | |
| 7-SDI A-IN | 14-Pb | |
| 8-SDI B-IN | | |

10" Versatile On-Camera & Field Monitor **OBM-N101**

Specifications

ITEM		OBM-N101
Input	2 x BNC	3G/HD/SD-SDI-1/2
	1 x HDMI	HDMI 1.4a
	3 x BNC (YPbPr)	Analog(YPbPr)
	1 x BNC (CVBS)	Composite
Output	2 x BNC	3G/HD/SD-SDI-1/2
	1 x HDMI	HDMI 1.4a
Input Signal Format	SMPTE ST 425-AB	1080p(60/59.94/50/30/29.97/25/24/23.98/30sF/29.97sF/25sF/24sF/23.98sF) 1080i (60/59.94/50)
	SMPTE ST 274	1080p(30/29.97/25/24/23.98/24sF/23.98sF) 1080i (60/59.94/50)
	SMPTE ST 296	720p(60/59.94/50)
	SMPTE ST 260	1920 x 1035i(60/59.94)
	SMPTE ST 2048	2048 x 1080p(24/23.98/24sF/23.98sF)
	SMPTE ST 125	480i(59.94)
	ITU-R BT.656	576i(50)
	HDMI	1.4a (~ 1080p(50/60))
Audio In/Out	1 x Phone Jack In	Line In(Stereo)
	1 x Phone Jack Out	H/P Out(Front, Stereo)
	2 x Speaker Out	Stereo
Display	Size	10.1" LCD
	Resolution	1920 x 1200
	Pixel Pitch	0.11292 (H) x 0.11292 (V) mm
	Color	16.7M colors(6-bit+Hi-FRC)
	Viewing Angle	170(H), 170(V)
	Luminance of White	400cd/m ²
	Contrast	800 : 1
	Display Area (H x V)	198.72 x 111.78 (mm)
General	1 x Ethernet	Control / Update, RJ-45P Input / Output
	1 x GPIO	GPI-7 Port, RJ-45P Jack
	2 x Serial	RS-422 Jack, RJ-45P Input / Output
	1 x USB	For Firmware Update, Color Calibration
	DC In	4-pin XLR
	Power Requirements	DC 12V
	Power Consumption	29W
	Operating Temperature	0 ~ 40°C(32°F~104°F)
	Operating Humidity	20% ~ 80% RH
	Weight	2.6 kg / 5.73 lbs
	Dimensions[with stand]	293 x 217 x 90 (mm) / 11.53 x 8.54 x 3.54 (in)
	Accessories	Power Cable / Acrylic Protector
	Option	V-Mount / D-Tap Cable / Ball Head Table Stand / Rack Mount Kit / Carrying Case / Sun Hood

* Specifications are subject to change without prior notice for the product quality improvement.



POSTIUM KOREA Co., Ltd.

www.postium.com

2.1kg / 4.62lbs(With Stand : 2.5kg / 5.51lbs)

Main Body : 223 x 174 x 43 mm (8.77 x 6.85 x 1.69 inch)

With Stand : 267x 193 x 90 mm (10.51 x 9.59 x 3.54 inch)