



32" 4K Wall Monitor with Narrow Bezel
Optimized design for OB Van

OBM-W 310-NB

12G/6G/3G-SDI x 2 Input

HDMI 2.0 Input

SFP Module Input (ST 2022-6, ST 2110 Support)

Panel Resolution 1920x1080

1.064 Billion Colors

500cd/m²



4K Wall Monitor with Narrow Bezel, Optimized design for OB Van

The OBM-W310-NB incorporate 12G-SDI input and loopout(x2), HDMI 2.0 input, SFP optical connector, Component and Composite on the panel of full HD resolution. So, the OBM-W310-NB is ideal for building up a 4K monitor wall in the studio or OB van. The OBM-W310-NB offers the advanced and convenient features such as HDR(High Dynamic Range), Ethernet Control, Camera Log display, etc.



POSTIUM KOREA Co., Ltd.
www.postium.com



32" 4K Wall Monitor with Narrow Bezel
Optimized design for OB Van

OBM-W310-NB

Product Highlights

- 12G/6G/3G/HD/SD-SDI 2 Channel
- Dual Link 3G-SDI 2-Sample Interleave
- SFP Module Input (ST 2022-6, ST 2110 Support)
- HDMI 2.0 Support
- HDR(High Dynamic Range) Display supporting PQ EOTF(ST 2084), Hybrid Log Gamma, S-Log3
- 3D-LUT for Accurate Color Reproduction
- SDR EOTF - BT.1886 (Gamma 2.4)
- 1.064 Billion Colors
- Camera Log Conversion
- Camera Log Mapped SDI Loopout
- Custom 3D LUT File Import Through USB
- Gamma Selection (1.0 ~ 3.0)
- Color Temperature(3200K, 5500K, 6500K, 9300K, USER 1/2/3, DCI-P3)
- Compare Color Settings (Side by Side)
- Waveform, VectorScope (Wave + Vector, Waveform Wide, Position Selection)
- Various Markers (EBU, 4:3, 16:9, 1.85:1, 2.35:1, Variable etc.)
- Internal Patterns Display for Color Test (Black ~ 100% White, Color Bar)
- De-embedded 8~16ch Audio Level Meter
- Time Code Display (Position / Size Selection)
- Remote Control via GPI(RJ-45) Port
- HDR & Camera Log Comparison
- Rack & VESA Mount (Option)
- Monitor Control via Ethernet, RS-422
- Easy Firmware Update by USB
- Focus Assist
- Zebra
- Support 4096x2160 Aspect
- Zero Scan / 1:1 Scan
- H/V Delay
- Gamut Error
- 3 Color TALLY Lamp
- Fast Mode
- Aspect
- Freeze
- Blue/Mono Only
- HDR Waveform
- IMD
- Closed Caption(608, 708)
- System Data Copy
- Key Lock & Password Lock

Parts and Controls



* Functions are subject to change without prior notice for the product quality improvement.



32" 4K Wall Monitor with Narrow Bezel
Optimized design for OB Van

OBM-W310-NB

Specifications

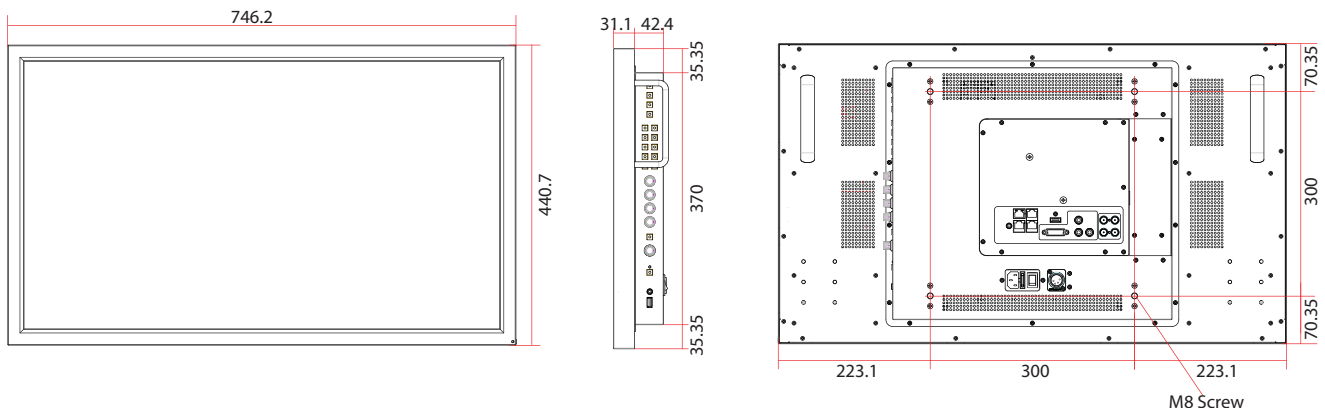
ITEM	OBM-W310-NB	
Input	2 x BNC	12G/6G/3G/HD/SD-SDI-1/2
	1 x HDMI	HDMI 2.0
	1 x SFP	SFP
	3 x BNC (YPbPr)	Analog(YPbPr)
	1 x BNC (CVBS)	Composite
Output	2 x BNC	12G/6G/3G/HD/SD-SDI-1/2
Input Signal Format	SMPTE ST 2082	2160p(60/59.94/50)
	SMPTE ST 2081	2160p(30/29.97/25/24/23.98)
	SMPTE ST 425-AB	1080p(60/59.94/50/30/29.97/25/24/23.98/30sF/29.97sF/25sF/24sF/23.98sF) / 1080i (60/59.94/50)
	SMPTE ST 274	1080p(30/29.97/25/24/23.98/24sF/23.98sF)
		1080i (60/59.94/50)
	SMPTE ST 296	720p(60/59.94/50)
	SMPTE ST 260	1920 x 1080i(60/59.94)
	SMPTE ST 2048	2048 x 1080p(24/23.98/24sF/23.98sF)
	SMPTE ST 125	480i(59.94)
	ITU-R BT.656	576i(50)
	HDMI 2.0	~ 2160p(60)
	SFP	12Gbps, 6Gbps, 2.970Gbps, 1.485Gbps, 270Mbps
	Audio In/Out	1 x Phone Jack In
1 x Phone Jack Out		H/P Out(Front, Stereo)
2 x Speaker Out		Stereo
Display	Size	32" LCD
	Resolution	1920 x 1080 (16:9)
	Pixel Pitch	0.363mm
	Color	1.064B colors(8bit+2bit FRC)
	Viewing Angle	178(H), 178(V)
	Luminance of White	500cd/m ²
	Contrast	3000 : 1
	Display Area (H x V)	698.4 x 392.85 (mm)
General	1 x Ethernet	Control/Update, RJ-45P Input
	1 x GPIO	GPI-7 Port, RJ-45P Jack
	2 x Serial	RS-422 Jack, RJ-45P Input / Output
	1 x USB	For Firmware Update, Color Calibration
	Power Requirements	AC(100-230V,50/60Hz)/DC24V
	Power Consumption	Max 100W
	Operating Temperature	0 ~ 40°C(32°F~104°F)
	Operating Humidity	20 ~ 80% RH
	Weight	14.5kg/31.96lbs
	Dimensions	746.2 x 440.7 x 73.5 mm
		29.37 x 17.35 x 2.89 inch
	Accessories	Power Cable
	Option	Wall Bracket

* Specifications are subject to change without prior notice for the product quality improvement.

Dimensions(mm)

Dimensions --Main Body : 746.2 x 440.7 x 73.5 mm (29.37 x 17.35 x 2.89 inch)

Weight --Main Body : 14.5kg / 31.96lbs



* Specifications are subject to change without prior notice for the product quality improvement.