

Quad 21.5" Quad Rack Monitor OBM-R210Q

4 x 3G-SDI Input & Active Loopout

HDMI® 2.0 Input

Quad-screen Display

3D-LUT for Accurate Color Reproduction

HD HDR Support

Color Depth 1.064 Billion Colors

Waveform & Vector Scope on each video

UMD / 16ch Audio Level Meter on each video

Remote Control via GPI and Network

Panel Resolution 1920 x 1080(21.5"), 1500nit

**1500
nit**
**OB Van 21.5"
Rack Monitors**



21.5" Rack Mountable Monitor Optimized design for OB Van

The Postium OBM-R210Q is a 21.5" quad 3G input monitor designed for monitoring up to 4 HD/SD on-screen simultaneously.

The OBM-R210Q accepts up to four independent 1080 60P signals displayed at either a full screen native 1920x1080 resolution or scaled to ¼ resolution via four standard 3G/HD-SDI input interfaces (x4).



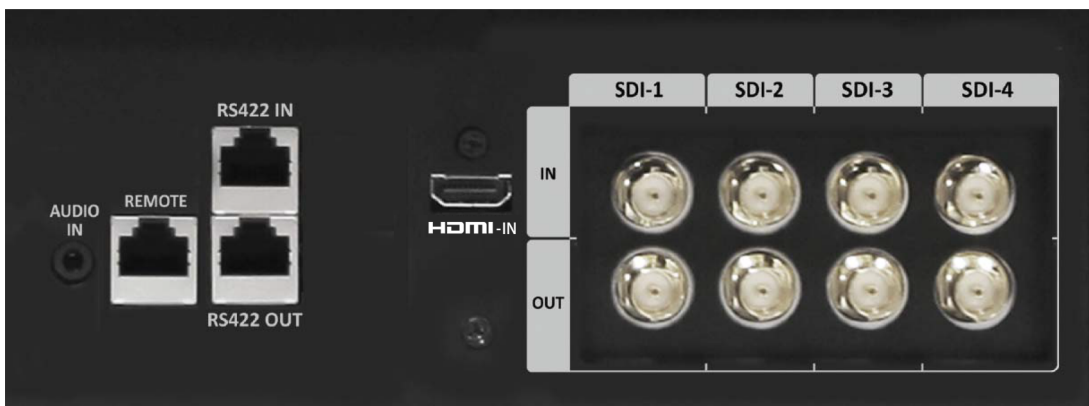
POSTIUM KOREA Co., Ltd.
www.postium.com

Quad 21.5" Quad-Split Monitor OBM-R210Q

Product Highlights

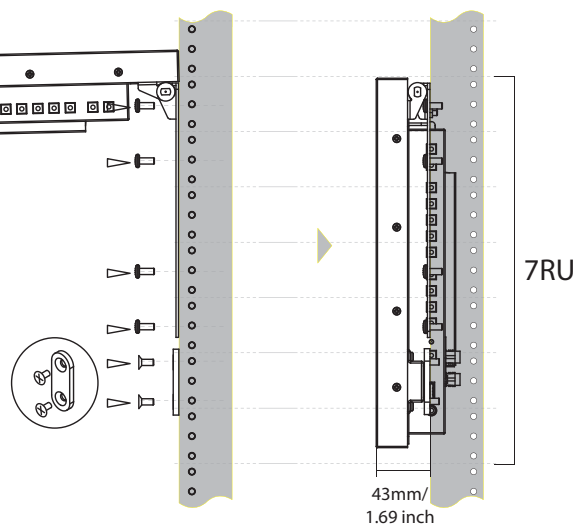
- Video Input: 4 x 3G-SDI, 1 x HDMI 2.0
- Video Output: 4 x 3G-SDI
- Audio In: Embedded Audio, Analog Stereo (Phone Jack)
- Audio Out: Analog Stereo (Phone Jack), Internal Speaker(Mono/Stereo)
- 3G-SDI Level A/B Support
- 3D LUT Accurate Color Reproduction
- HDR Support
- Waveform
- Vector Scope
- Various Display Modes
- Adjustable Gamma
- Time Code Display
- Audio Level Meter Display
- UMD
- 1:1 Pixel Mapping
- Blue Only
- H/V Delay
- Various Markers
- Blue/Mono Only
- Various Scan modes
- Freeze Frame
- 3 Color Tally Lamp
- Remote Control via GPI(RJ-45) Port
- Firmware Update via USB Flash Memory

Parts and Controls



* Functions are subject to change without prior notice for the product quality improvement.

Rack Mountable without Additional Accessories
Easy for Installing in the Rack
Convenient for Cabling



Quad 21.5" Quad-Split Monitor OBM-R210Q

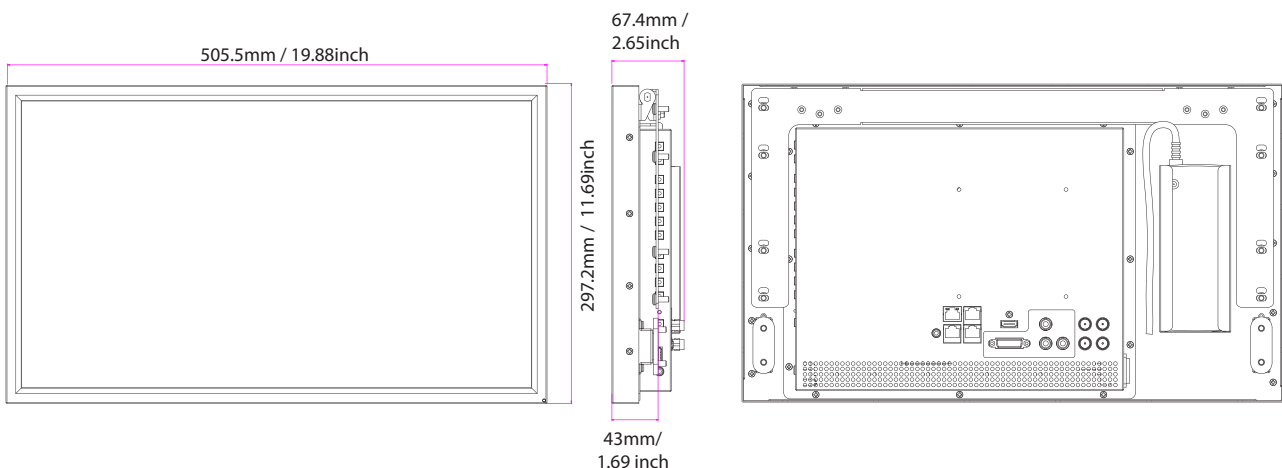
Specifications

ITEM	OBM-R210Q	
Input	BNC (SDI)	4 x 3G/HD/SD-SDI
	HDMI®	1 x HDMI® 2.0
Output	BNC (SDI)	4 x 3G/HD/SD-SDI
Input Signal Format	SMPTE ST 425-AB	1080p(60/59.94/50/30/29.97/25/24/23.98/30sF/29.97sF/25sF/24sF/23.98sF) / 1080i (60/59.94/50)
	SMPTE ST 274	1080p(30/29.97/25/24/23.98/24sF/23.98sF) 1080i (60/59.94/50)
	SMPTE ST 296	720p(60/59.94/50)
	SMPTE ST 260	1920 x 1035i(60/59.94)
	SMPTE ST 2048	2048 x 1080p(24/23.98/24sF/23.98sF)
	SMPTE ST 125	480i(59.94)
	ITU-R BT.656	576i(50)
	HDMI®	~ 2160p(60)
	DVI-D	VESA/IBM Modes
Audio In/Out	1 x Phone Jack In	Line In(Stereo)
	1 x Phone Jack Out	H/P Out(Front, Stereo)
	2 x Speaker Out	Stereo
Display	Size	21.5" LCD
	Resolution	1920 x 1080 (16:9)
	Pixel Pitch	0.270mm
	Color	True 16.7M Colors
	Viewing Angle	178(H), 178(V)
	Luminance of White	1500cd/m ²
	Contrast	1000 : 1
	Display Area (H x V)	476.064 (H)mm x 267.786 (V) mm
General	1 x Ethernet	-
	1 x GPIO	GPI-7 Port, RJ-45P Jack
	2 x Serial	RS-422 Jack, RJ-45P Input / Output
	1 x USB	For Frmware Update, Color Calibration
	Power Requirements	DC24V
	Power Consumption	Max 40W
	Operating Temperature	0 ~ 40°C(32°F~104°F)
	Operating Humidity	20 ~ 80% RH
	Weight	5kg / 11.02 lb
	Dimensions(main body)	505.5 x 297.2 x 67.4 mm / 19.88 x 11.69 x 2.65 inch
	Accessories	DC Adapter / Power Cable

* Specifications are subject to change without prior notice for the product quality improvement.

Dimensions(mm)

Dimensions -- 505.5 x 297.2 x 67.4 mm / 19.88 x 11.69 x 2.65 inch Weight -- 5kg / 11lbs



* Specifications are subject to change without prior notice for the product quality improvement.