

20 LHM Series *DVI/HDMI LCD Monitors*

DVI/HDMI LCD Monitor **LHM-400W**

Built Specifically for use
with Multi-Viewers.

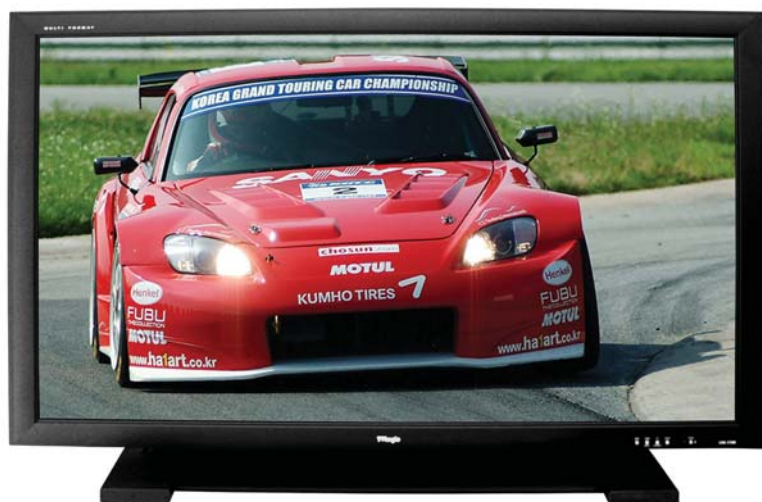


DVI/HDMI LCD Monitor **LHM-460W**

The best balance between size,
performance, durability, & price

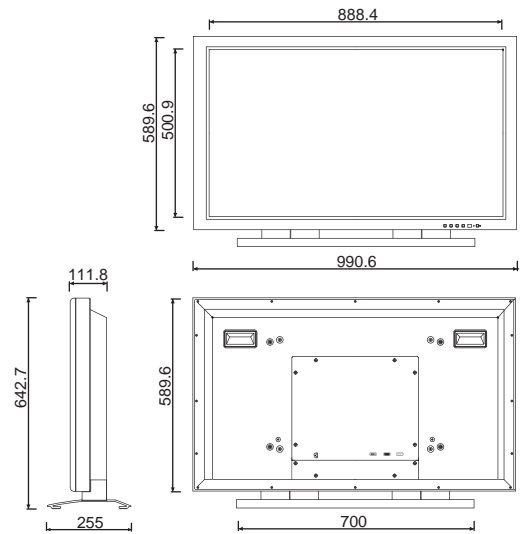
DVI/HDMI LCD Monitor **LHM-570W**

Setting a New Standard in Large
Scale Monitoring Solutions



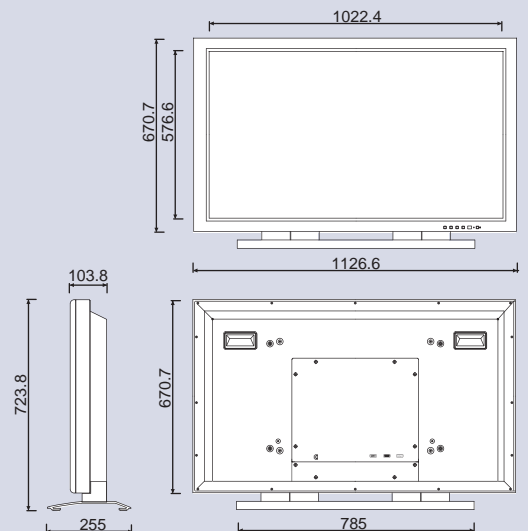
PRODUCT HIGHLIGHTS

- 1920x1080 Native HD Resolution with High Contrast 1000 : 1
- 1 X D-SUB
- 1 X DVI
- 1 X HDMI
- 2 X RJ45 Jack (RS485)
- RGBHV, DVI, HDMI Input
- Video Mode, Graphic Mode Support
- Supports TVLogic Color Calibration Utility for proper color alignment
- Matte Finish Panel or Optional ND filter
- Optional HD-SDI Input



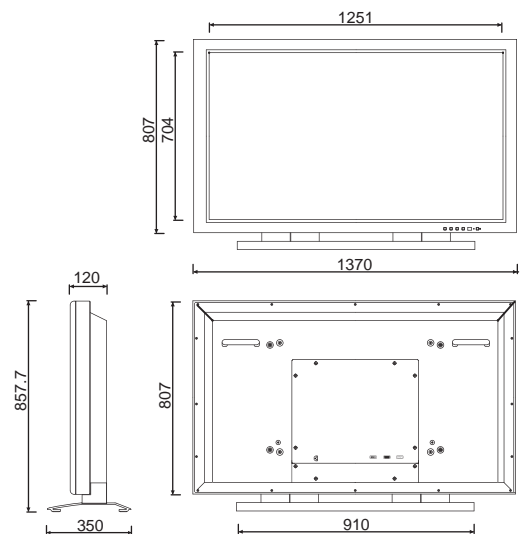
PRODUCT HIGHLIGHTS

- 1920x1080 Native HD Resolution with High Contrast 1000 : 1
- 1 X D-SUB
- 1 X DVI
- 1 X HDMI
- 2 X RJ45 Jack (RS485)
- RGBHV, DVI, HDMI Input
- Video Mode, Graphic Mode Support
- Supports TVLogic Color Calibration Utility for proper color alignment
- Matte Finish Panel or Optional ND filter
- Optional HD-SDI Input



PRODUCT HIGHLIGHTS

- 1920x1080 Native HD Resolution with High Contrast 1200 : 1
- 1 X D-SUB
- 1 X DVI
- 1 X HDMI
- 2 X RJ45 Jack (RS485)
- RGBHV, DVI, HDMI Input
- Video Mode, Graphic Mode Support
- Supports TVLogic Color Calibration Utility for proper color alignment
- Matte Finish Panel or Optional ND filter
- Optional HD-SDI Input



28 LHM Series *DVI/HDMI LCD Monitors*

Specifications

LHM				
		LHM-400W	LHM-460W	LHM-570W
Input	1 x DVI-I	DVI IN		
	1 x HDMI	HDMI IN		
	1 x D-Sub	RGBHV (VGA) IN		
	1 x HD-SDI	HD-SDI IN (Option)		
	1 x 9Pin D-Sub	232 Port		
	2 x RJ45 (RS485)	RS485 Port		
Input Signal	DVI	640x480 / 800x600 / 1024x768 / 1280 x 768 / 1280 x 1024 / 1360 x 768 / 1920 x 1080		
	HDMI	640x480 / 800x600 / 1024x768 / 1280 x 768 / 1280 x 1024 / 1360 x 768 / 1920 x 1080		
	D-Sub	640x480 / 800x600 / 1024x768 / 1280 x 768 / 1280 x 1024 / 1360 x 768 / 1920 x 1080		
	HD-SDI	Option		
Analog Input Spec	D-Sub	1.0Vpp(With Sync)		
LCD Control		5 Key (Menu , Up , Down , Enter , Power)		
		IR Remocon (NEC Protocol)		
		RS 485		
Remote	2 x RJ45(RS485)	Standard Direct Cable(UTP Cable)		
		1 x RJ45(Input) , 1 x RJ45(Output)		
PGM	1 x 9Pin D-Sub	232 Program Update Port		
DVI, VGA, HDMI Input Signal Formats		VESA Standard		
		1920 x 1080 (60P)		
		1920 x 1080 (60i) Only DVI , HDMI		
		1920 x 1080 (50i) Only DVI , HDMI		
LCD	Size	40"	46"	57"
	Resolution	1920 x 1080 (16:9)	1920 x 1080 (16:9)	1920 x 1080 (16:9)
	Dot Pitch	0.461 mm	0.53 mm	0.651 mm
	Color	16.7M (True), 24bit	16.7M (True), 24bit	16.7M (True), 24bit
	Viewing Angle (Typical)	H : 178 degree	H : 178 degree	H : 178 degree
		V : 178 degree	V : 178 degree	V : 178 degree
	Luminance of White	450 cd (Center)	450 cd (Center)	600 cd (Center)
	Contrast	1000 : 1	1000 : 1	1200 : 1
Display Area	885.60 X 498.15 mm	1018 X 572 mm	1251.36 X 703.89 mm	
Power	AC 100 ~ 240 V		AC 100 ~ 240 V	
Power Consumption (Approx.)	290 Watts		349 Watts	
Operating Temperature	0 °C to 40 °C (32 °F to 104 °F)		0 °C to 40 °C (32 °F to 104 °F)	
Storage Temperature	-10 °C to +50 °C (14 °F to 122 °F)		-10 °C to +50 °C (14 °F to 122 °F)	
Main Body Dimensions (mm/inch)	990.6x589.6x111.8 (39.0x23.2x4.4)	1126.6x670.7x103.8 (44.4x26.4x4.1)	1370x807x120 (54.0x31.8x4.7)	
Main Body Dimensions (with stand)	990.6x642.7x255 (39.0x25.3x10.0)	1126.6x723.8x255 (44.4x28.5x10)	1370x857.7x350 (54.0x33.8x13.8)	
Weight	35Kg / 77.2 lb		42Kg / 92.6 lb	
Accessory	AC Power Cord		AC Power Cord	
Option	Carrying Case / WALL mount ND Filter		Carrying Case / WALL mount ND Filter	

* Above specifications may be changed without notice

